	Cage Code:	Title:	Date:	Rev:	Model no:
	02WLO	PRODUCT SPECIFICATION DATA (subject to change)	11/16/2009	None	H25-205
(15H03601-03)					

This document describes the performance of a high power 1P2T switch. This is a cold switched design i.e.; switched while RF is off. Proper bias levels must be applied when operating this device.

ITEM NO	CHARACTERISTIC	CONDITIONS	MIN	MAX	UNITS	COMMENTS
1	POWER SPECIFICATION	IN BAND				
1.1	FREQUENCY		12	18	GHz	
1.2	PEAK POWER			2000	WATTS	
1.3	PULSE WIDTH			5	μS	
1.4	DUTY			4	%	
1.5	AVG. POWER			80	WATTS	
2	POWER SPECIFICATIONS	GUARD BAND				
2.1	FREQUENCY		18	18.5	GHz	
2.2	PEAK POWER			20	WATTS	
2.3	PULSE WIDTH			0.5	μS	
2.4	DUTY			5	%	
2.5	CW POWER			1	WATT	
3	POWER SPECIFICATIONS	OUT OF BAND				
3.1	FREQUENCY		>18.5		GHz	
3.2	PEAK POWER			0.03	WATTS	
3.3	PULSE WIDTH		CW		μS	
3.4	DUTY		CW		%	
3.5	CW POWER			0.03	WATTS	
4	OPERATING FREQUENCY		12	18	GHz	
5	INSERTION LOSS					
5.1				1.8	dB	
6	ISOLATION					
6.1	INPUT TO OUTPUT		40		dB	
6.2	OUTPUT TO OUTPUT		40		dB	
7	PHASE					
7.1	MATCHING					NOT SPECIFIED
7.2	TRACKING					NOT SPECIFIED
8	VSWR					
8.1	PORTS NOT SELECTED					INFINITE (reflective)



Cage Code: 02WLO

Title: **PRODUCT SPECIFICATION DATA**
(subject to change)

Date: 11/16/2009

Rev: None

Model no: H25-205

(15H03601-03)

ITEM NO	CHARACTERISTIC	CONDITIONS	MIN	MAX	UNITS	COMMENTS
8	VSWR (CONT.)					
8.2	INPUT & OUTPUT, SELECTED PORTS			1.4:1		
8.3	TERMINATION			2.0:1		
8.4	SOURCE			1.2:1		
9	HARMONICS & SPURS					
9.1	INTERNALLY GENERATED					NOT SPECIFIED
9.2	MEASURED AT INCIDENT POWER			0	WATTS	
10	SWITCHING					
10.1	SPEED	50% Logic To 0.5dB		1.5	μS	
10.2	SWITCHING RATE			50	kHz	
10.3	COMMAND LOGIC	RS-422				
10.4	VIDEO LEAKAGE					NOT SPECIFIED
10.5	LOGIC TABLE					SEE DWG 2013 (below)
11	D.C. POWER					
11.1	POSITIVE BIAS VOLTAGE		4.8	5.2	VDC	
11.2	NEGATIVE BIAS VOLTAGE		-48	-54	VDC	
11.4	POSITIVE BIAS CURRENT			300	mA	
11.5	NEGATIVE BIAS CURRENT			40	mA	
NOTE: NO OVER-VOLTAGE OR REVERSE POLARITY PROTECTION IS PROVIDED WITH THIS SWITCH.						
12	CONNECTORS					
12.1	RF					SMAF
12.3	DC					Solder Pins
13	MECHANICAL					
13.1	WEIGHT			6	Oz.	
13.2	OUTLINE					SEE DWG 2013 (below)
14	ENVIRONMENTAL					
14.1	OPERATING TEMPERATURE		0	+60	°C	
14.2	STORAGE TEMPERATURE		-20	+85	°C	
14.3	VIBRATION LEVEL					SHELTERED GROUND MOBILE



Cage Code: 02WLO

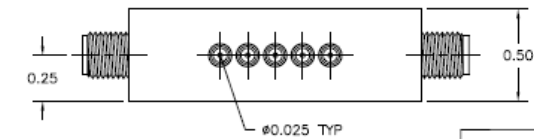
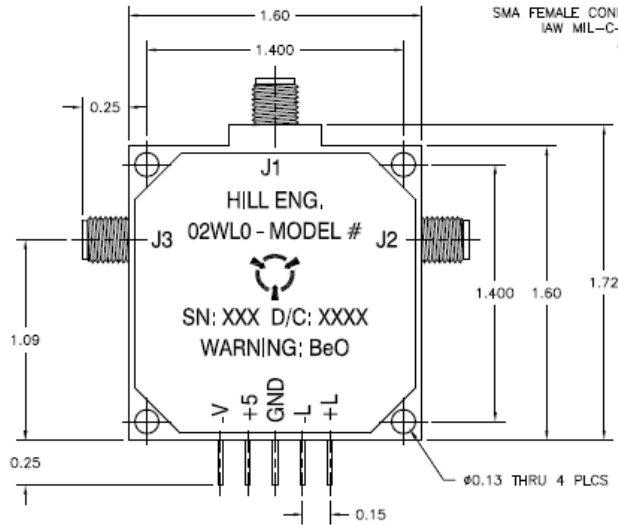
Title: **PRODUCT SPECIFICATION DATA**
(subject to change)

Date: 11/16/2009

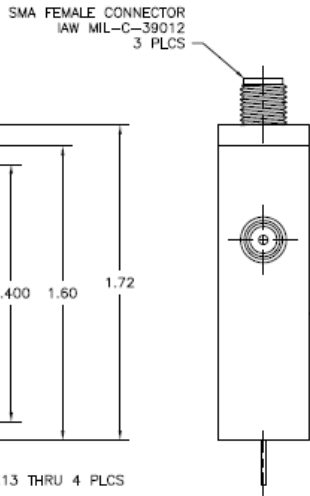
Rev: None

Model no: H25-205

(15H03601-03)



OUTPUT	+LOGIC	-LOGIC
J1-J2	0	1
J1-J3	1	0



REVISIONS			
REV	DESCRIPTION	DATE	APPROVED
A	ECN #025	12/95	J HILL
B	REVISED & REDRAWN ECN #066	6/10/96	J HILL
C	REVISED ECN #072	7/23/96	J HILL
D	REVISED PER ECN #416	1/26/98	J HILL
E	REVISED PER ECN #613	11/6/98	SPL
F	REVISED PER ECN #1052	8/27/99	SPL
G	REVISED PER ECN #1169 (dgb)	2/4/00	SPL
H	REVISED PER ECN #1538 (DL)	8/8/00	SPL
J	REVISED PER ECN #2804 (hrb)	3/3/03	SPL

SPECIFICATIONS SUBJECT TO CHANGE WITHOUT NOTICE

MOUNTING/HEAT SINK SURFACE FREE OF PAINT SEE NOTE 1d.

NOTES:

- FINISH:
 - PAINT PER HILL ENG. MEI-105.
 - PRIMER: ZINC COATING (ZRC) P/N 172-0003
 - PAINT: FLAT BLACK EPOXY ENAMEL P/N 172-0002.
 - MOUNTING SURFACE SILVER PLATED IAW QQ-S-365 TYPE 3, GRADE A.
- MARKING:
 - MARK PER MEI-147.
 - MARKING: .09" BLACK CHARACTERS.
 - LABEL: METALIZED POLY SHEET P/N 127-0010.
- REFERENCE APPLICABLE PRODUCT SPEC FOR NEGATIVE VOLTAGE APPLIED. (SHOW SPECIFIED NEGATIVE VOLTAGE ON LABEL).



UNLESS OTHERWISE SPECIFIED (DIMENSIONS ARE IN INCHES) TOLERANCES ARE:		APPROVALS	DATE	
FUNCTIONS	DETAILS	APPROVED	SURFACE	
21/94	05 P. 22	2/4/00	BY	DRAWING TITLE
REMOVE ALL SURFS FROM PARTS				OUTLINE, SPDT BALANCED LOGIC
MATERIAL	MANUFACTURING	DATE	DATE	SIZE
	SA WARD	8/26/99		B
FINISH	QC	DATE		CAGE CODE
	J. HILL	12/95		02WLO
NEXT ASSY	USED ON	CUSTOMER APPROVALS		DRAWING NO.
				2013
APPLICATIONS	DO NOT SCALE DRAWING			REV
				J
				SCALE
				2/1
				FILENAME
				2013H
				SHEET
				1 of 1